

HS-210S Temperature Sensor

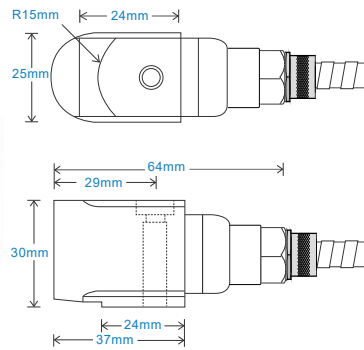
only temperature output via 4 Core Screened Polyolefin HFFR with Protective Conduit

Key Features

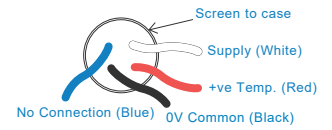
- Temperature output
- For use with data collector
- Side entry for easy access

Industries

Building services, Pulp and Paper, Mining, Metals, Utilities, Automotive, Water, Pharmaceutical



Connection Details



Technical Performance

Temperature Output	10 mV/°C standard 100°C - Option 150°C
Isolation	Base isolated

Mechanical

Case Material	Stainless Steel
Mounting Torque	8Nm
Mounting Bolt provided	see: 'How To Order' table x 30mm long
Weight	125gms (nominal) body only
Maximum Cable Length	1000 metres
Standard Cable Length	5 metres
Screened Cable	Polyolefin HFFR - length to be specified with order
Mounting Threads	see: 'How To Order' table

Electrical

Operating Voltage	4-30 VDC
-------------------	----------

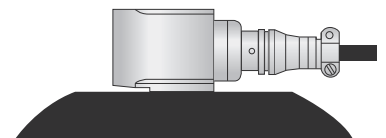
Environmental

Operating Temperature Range	-55 to see: 'How To Order' table for max
Sealing	IP68
EMC	EN61326-1:2013

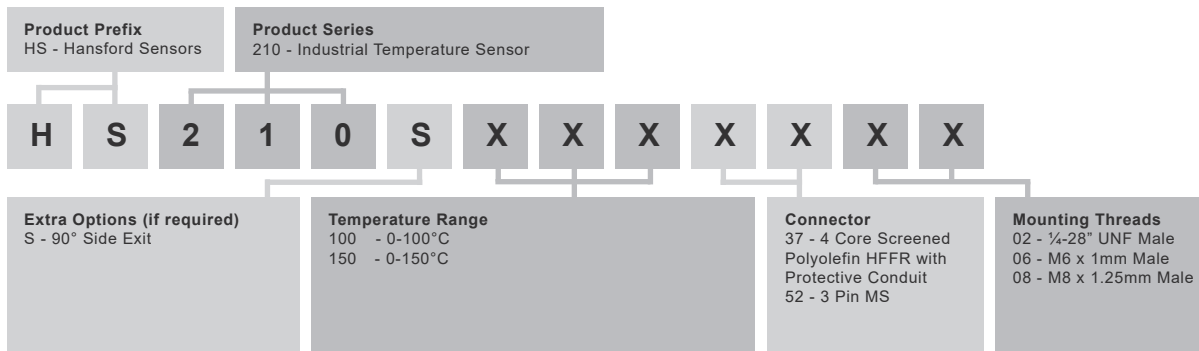
Applications

Fans, Motors, Pumps, Compressors, Centrifuges, Conveyors, Air Handlers, Gearboxes, Rolls, Dryers, Presses, Cooling, VAC, Spindles, Machine Tooling, Process Equipment

Vibration sensor should be firmly fixed to a flat surface (spot face surface may be needed to be produced and cable anchored to sensor body.)



How To Order



www.hansfordsensors.com
sales@hansfordsensors.com

We reserve the right to alter the specification of this product without prior notice
TS991U

