

# Air-Lock

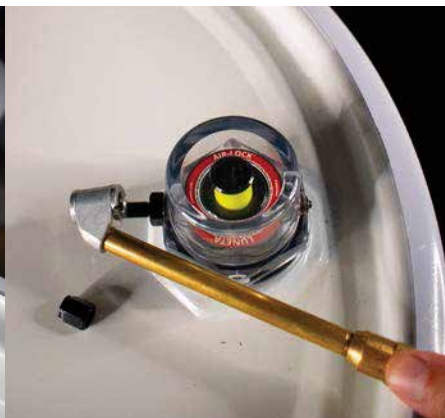


## **Air-Lock protects oil drums against contaminant ingress during storage.**

Temperature changes frequently cause breaches in drum seals allowing contaminated air (particles and moisture) to enter the drum headspace. Such contaminants during storage harm additive packages, increase oxidation, and leads to higher filtration costs. Air-Lock's patented design prevents contamination by increasing the headspace air pressure, which acts as a barrier against contaminants. Air-Lock also features a yellow fluorescent indicator to indicate a good seal, and that pressure is maintained. Stop contamination with confidence and get Air-Lock today.



Multiple Air-Locks



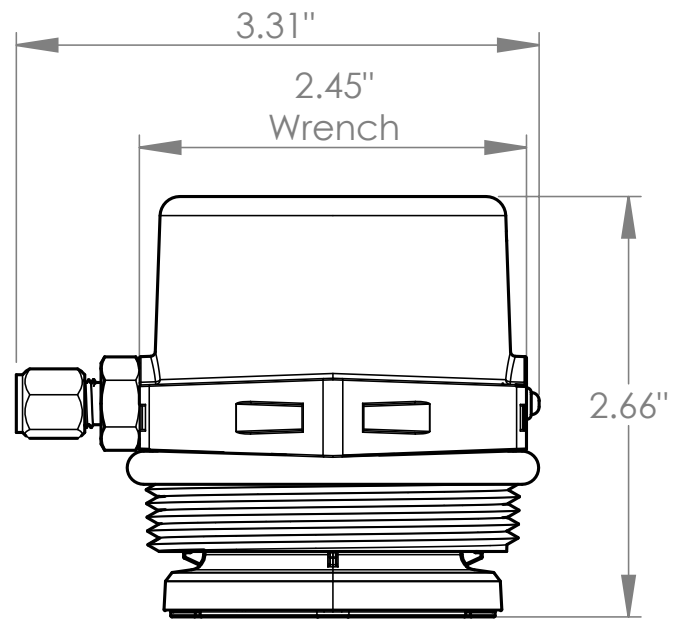
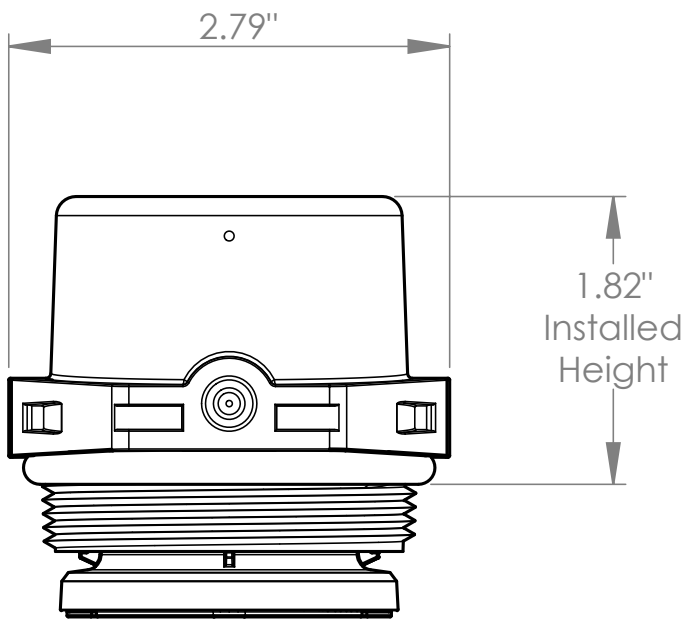
Activating Air-Lock with Compressed Air



Air-Lock Indicating the Drum is Sealed

Available Male Thread Size:  
NPT 2" (typical drum bung thread size)

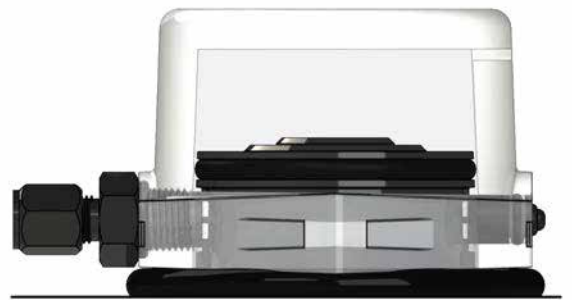
**LUNETTA**  
SMART PRODUCTS • RELIABLE MACHINES



THREADS	PART NUMBER
2" NPT	AIRLOCK

SPECIFICATIONS
<ul style="list-style-type: none"> <li>• Application: Oil Storage Drums</li> <li>• Threads: 2" NPT</li> <li>• Dimensions: (see graphic)</li> <li>• Shipping Weight: 6 oz. each</li> <li>• Recommended Temperature: -40°F to 200°F (-40°C to 93°C)</li> <li>• Recommended Pressure: 2.5 psi./0.17 bar</li> <li>• Materials: <b>Sight Glass:</b> Tritan™ (a patented, crystal clear and chemically resistant material); <b>Internal Assembly:</b> PA6 Nylon; <b>O-rings:</b> Viton; <b>Diaphragm:</b> Viton; <b>Springs:</b> 302 Stainless Steel; <b>Screws:</b> 302 Stainless Steel; <b>Schrader Valve:</b> Brass; <b>Valve Cap:</b> Aluminum</li> <li>• Outdoor Compatibility: UV-resistant to protect against long-term sun exposure.</li> <li>• Chemical Compatibility: Resistant to mineral and synthetic oils that are compatible with fluorocarbon elastomers (Viton™) and PMMA(acrylic)plastic.</li> </ul>

NOT SEALED



SEALED

